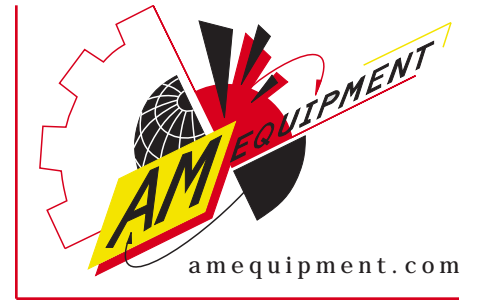
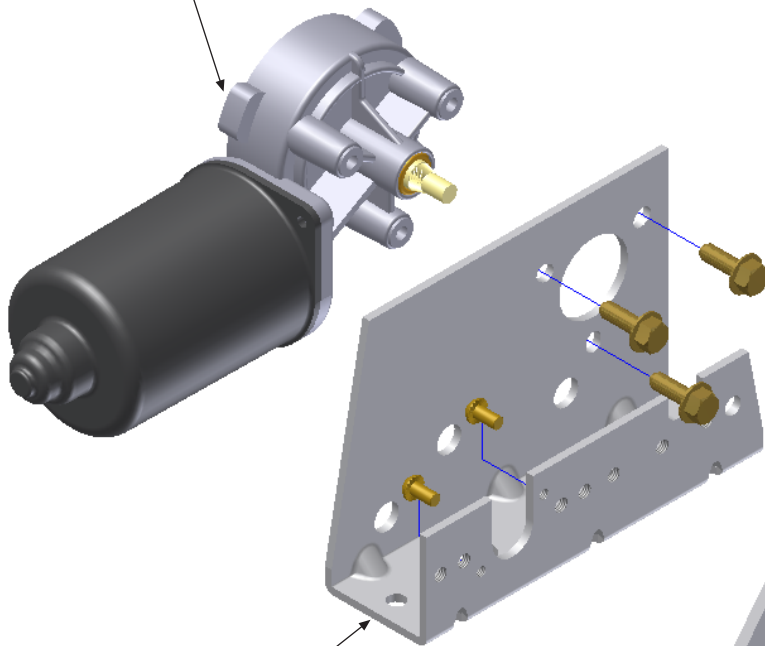


## 230 Series Hardware

- All hardware shown is available individually or in bulk quantities
- See 230 components pages for additional hardware



See 230 wiper motors pages



Standard unitized bracket shown: #306-1158  
 Right hand unitized bracket: #306-1164

Hardware Kit #315-1007 (bracket and drive arm not included in kit)



Spring clips #407-1022



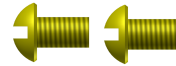
Washers # 414-1005



Link #307-1022  
 3.38" (86mm) center to center



Motor mounting screws # 414-1131



10-32 UNF-2B  
 Shaft screws #407-1064



Motor shaft nut # 414-1132

See 230 drive arm page

See 230 pivot shafts page