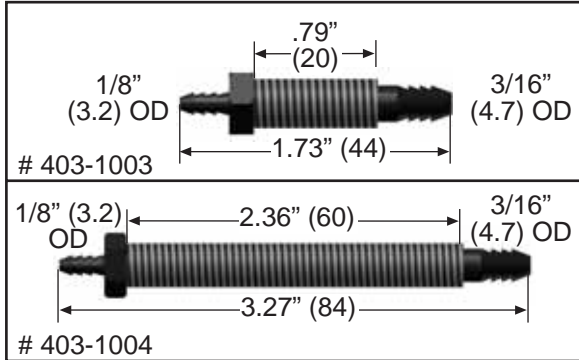
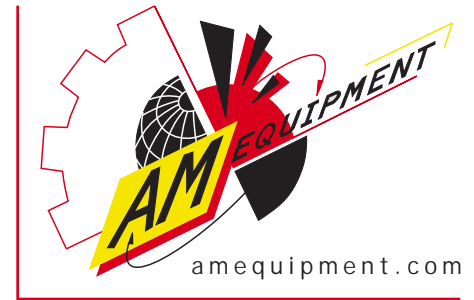


Bulkhead Fittings And Hose Connectors

- Two brass fittings available to pass washer fluid through various bulkhead thickness



-  # 414-1136 Brass nut
-  # 404-1015 Rubber washer
-  # 414-1137 Stainless washer

| Kit: | Includes: | Kit: | Includes: |
|------------|---|------------|---|
| # 313-1012 | 1 #404-1001 2 #403-1003 2 #414-1136 2 #404-1015 2 #414-1137 | # 313-1015 | 1 #404-1001 2 #403-1004 2 #414-1136 2 #404-1015 2 #414-1137 |
| # 313-1013 | 1 #404-1005 3 #403-1003 3 #414-1136 3 #404-1015 3 #414-1137 | # 313-1016 | 1 #404-1005 3 #403-1004 3 #414-1136 3 #404-1015 3 #414-1137 |
| # 313-1014 | 1 #403-1003 1 #414-1136 1 #404-1015 1 #414-1137 | # 313-1017 | 1 #403-1004 1 #414-1136 1 #404-1015 1 #414-1137 |

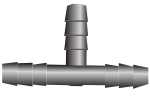

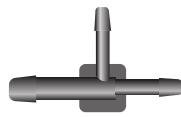
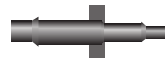
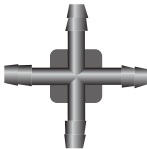


313-1025 90° Bulkhead fitting, 20mm

313-1027 Kit, Includes 2 # 313-1025 and 1 # 404-1001

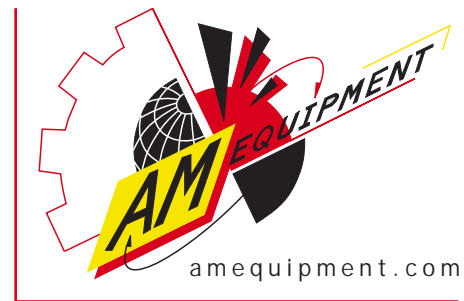


406-1014 Check valve
For use 3/8" ID hose

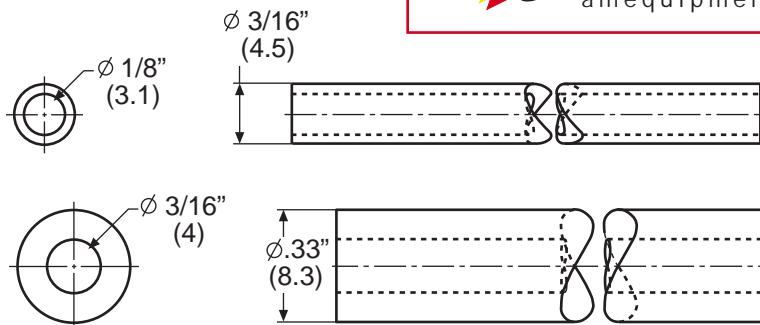
| | | | | |
|---|---|---|--|---|
|  |  |  |  |  |
| # 404-1001 Hose T 3/16" x 3/16" x 3/16" (4.7 x 4.7 x 4.7) | # 404-1017 Hose Y 3/16" x 3/16" x 3/16" (4.7 x 4.7 x 4.7) | # 404-1002 Hose T 3/16" x 1/8" x 1/8" (3.2 x 3.2 x 3.2) | # 404-1003 Adapter 1/8" x 3/16" (3.2 x 4.7) | # 404-1005 4-way adapter 3/16" x 3/16" 3/16" x 3/16" (4.7 x 4.7 x 4.7 x 4.7) |

Washer Hose

- Use 3/16" (4.7) hose from washer bottle to bulkhead fitting
- Use 1/8" (3.2) hose from bulkhead fitting to nozzle
- Bulk lengths cut to order



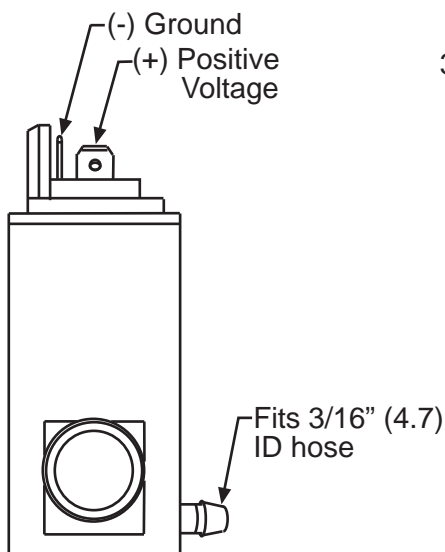
| Part # | Inside diameter | Length |
|----------|-----------------|-------------------|
| 314-1007 | 3/16" (4.7) | 12.5' (3.8m) |
| 314-1008 | 3/16" (4.7) | 18' (5.5m) |
| 314-1009 | 3/16" (4.7) | 50' (15.24m) |
| 314-1013 | 1/8" (3.2) | 10' (3m) |
| 314-1014 | 3/16" (4.7) | 10' (3m) |
| 314-1015 | 1/8" (3.2) | 20' (6m) |
| 314-1016 | 1/8" (3.2) | 50' (15.24m) |
| 405-1001 | 3/16" (4.7) | 800' (244m) bulk |
| 405-1002 | 1/8" (3.2) | 1600' (488m) bulk |



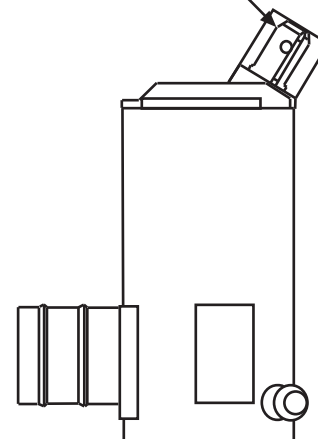
Pumps

- Available in 12V and 24V
- Delivery volume (with free flow rate): 135 mL displaced during 3 seconds of actuation
- Delivery pressure of 30 psi (2.11 kgf/cm²)

406-1010 12V Pump
406-1011 24V Pump



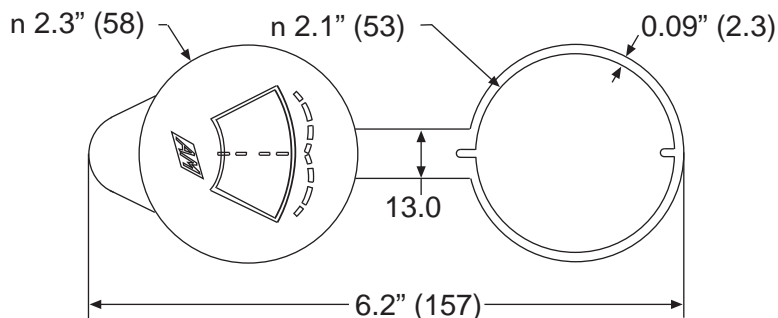
Mating Parts:
317-1055, terminals
317-1056, housing



Lid

- Made of plastic

406-1009 Washer bottle lid



Grommet

- Made of EPDM

406-1008 Washer bottle grommet

