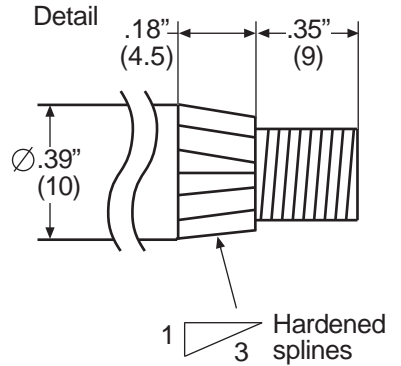
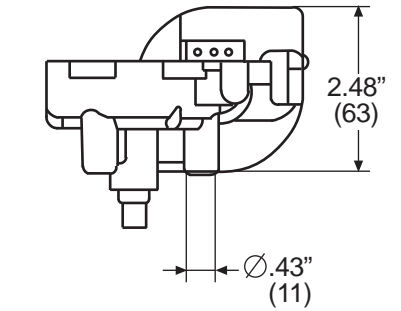
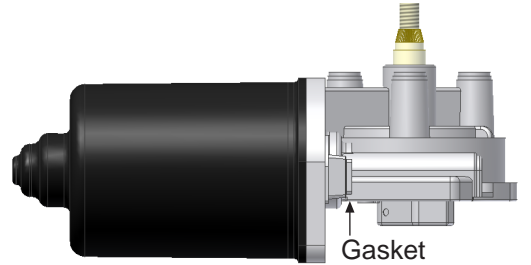
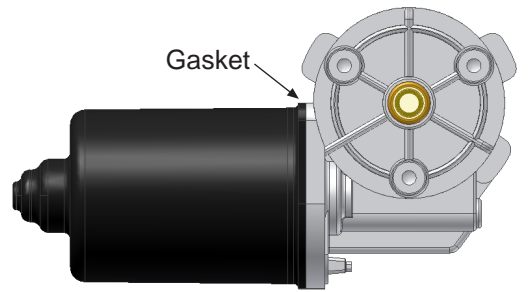
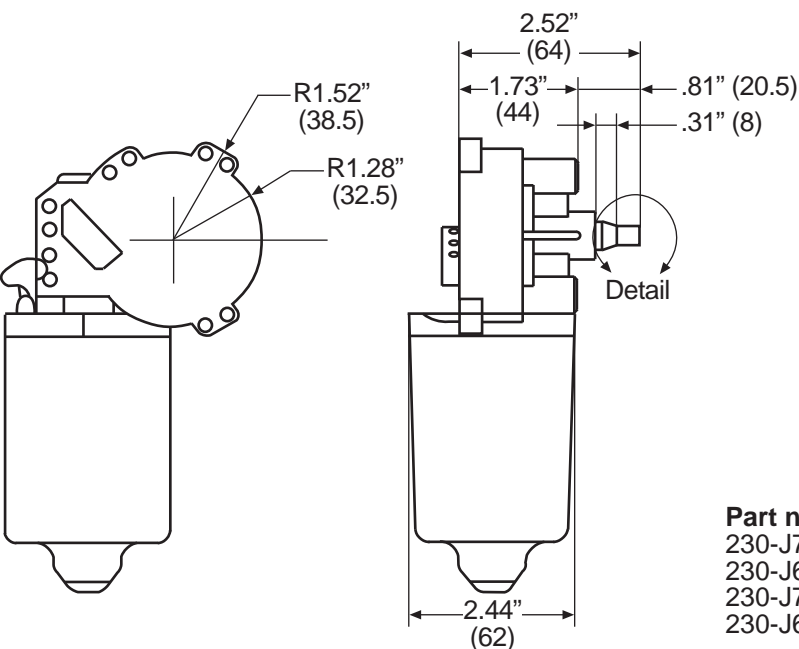
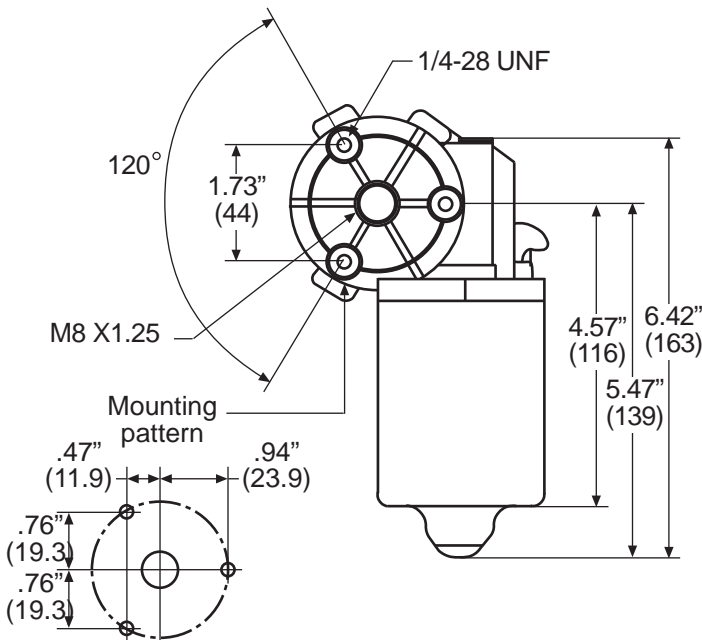
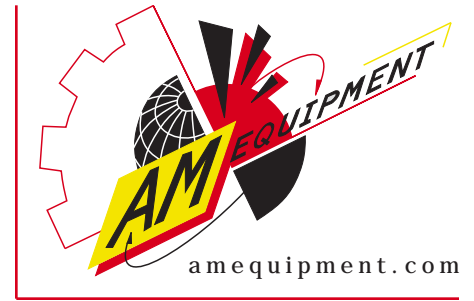


WJ Replacement 230 Series Left Hand Motor

- 30 Nm (see conversion table on reference information page)
- SAE standard durability tested
- Will retrofit into existing WJ applications
- Standard RFI suppression
- Water-resistant motor and plug connectors
- Available in dynamic park or coast to park
- Available in 12V or 24V
- Available in low or high side switched
- A variety of pigtail adapter cords available



- Part numbers:**
- 230-J791 12V, dynamic park
 - 230-J652 12V, coast to park
 - 230-J714 12V, coast to park, low side switched
 - 230-J661 24V, coast to park

Note: Coast to park and dynamic park motors are not interchangeable