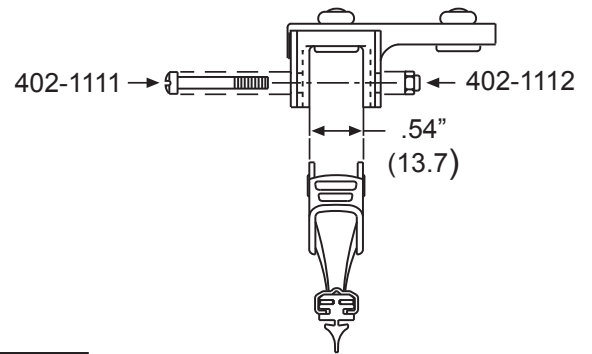


Standard Flex Wiper Blades

- Flexible for flat or curved glass
- Refillable molded wiper elements
- Galvanized, powder coated frames for corrosion resistance
- Compatible with 208, 212, 230, and Double Driver arms



Part #	Blade length L
302-1120	12" (300)
302-1130	13" (330)
302-1140	14" (350)
302-1150	15" (380)
302-1160	16" (400)
302-1170	17" (430)
302-1180	18" (450)
302-1190	19" (480)
302-1200	20" (500)
302-1210	21" (530)
302-1220	22" (550)
302-1240	24" (600)
302-1260	26" (650)
302-1280	28" (700)
302-1320	32" (800)

Compatibility Chart	
Motor Series	Max blade L
208	18" (450)
212	22" (550)
230	28" (700)
Double Driver	32" (800)

