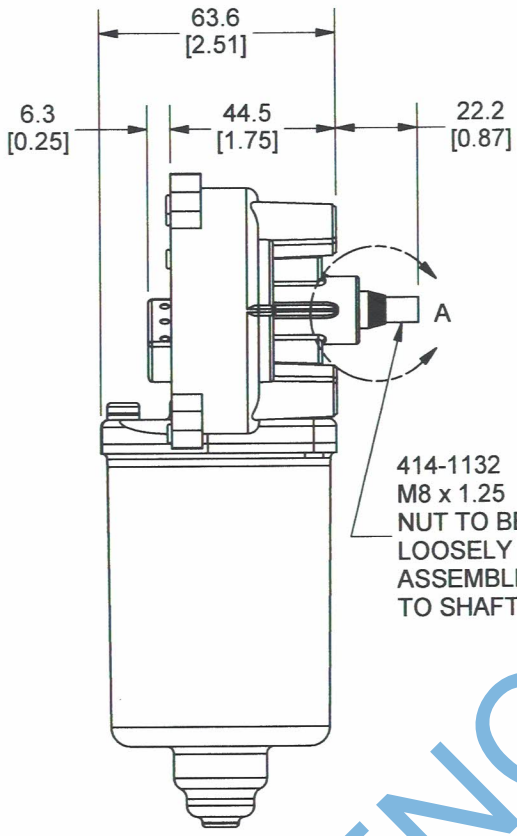
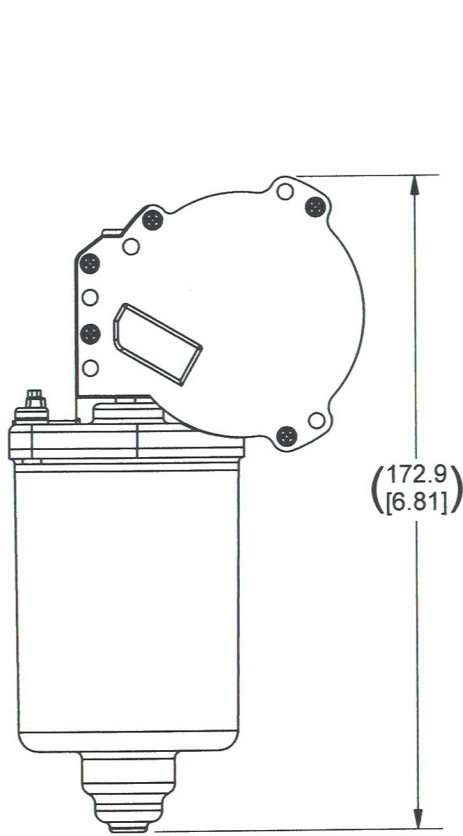
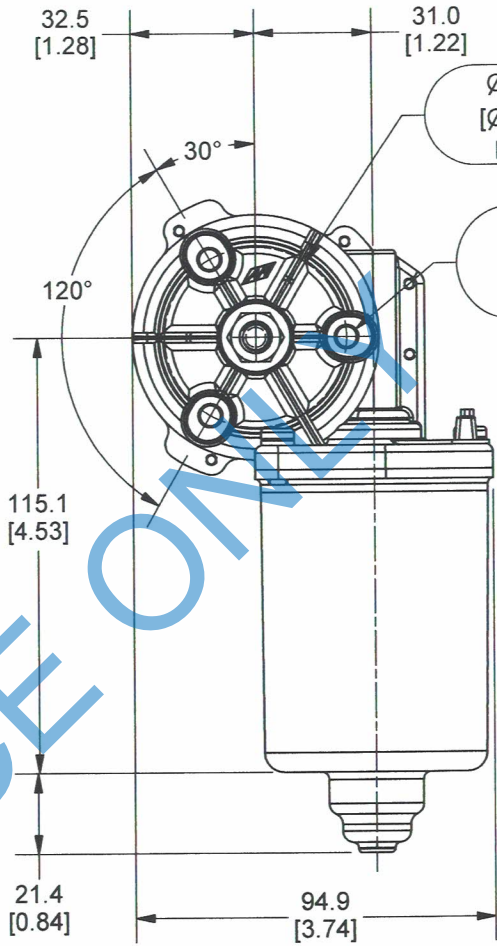


2

1

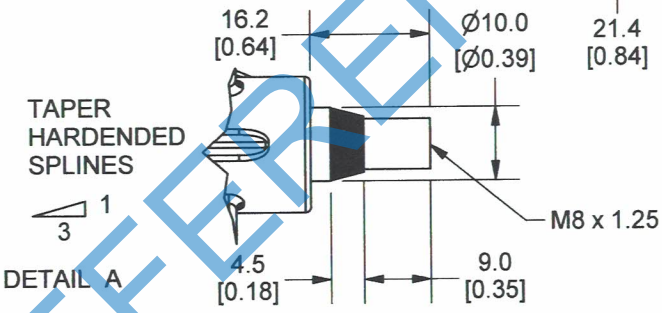


414-1132
M8 x 1.25
NUT TO BE
LOOSELY
ASSEMBLED
TO SHAFT




Ø47.8
[Ø1.88]
BHC

(3x) 1/4-28 UNF-1B
▽16.0
[0.629]



NOTE:
ALL DIMENSIONS, UNLESS OVALED, ARE
REFERENCE ONLY

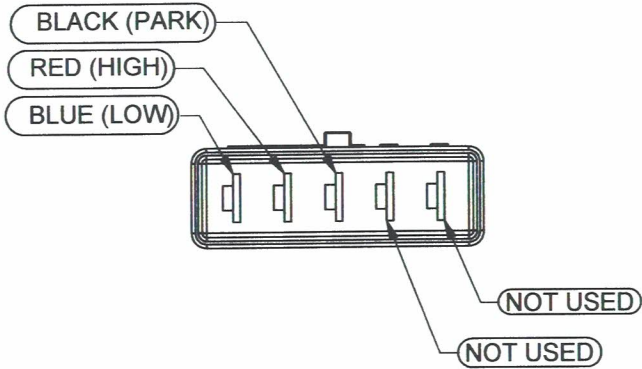
Dimensions are in:
MM [INCHES]

Project	N/A	Drafted by	CW	Revised by	RW	Checked by	RR	Approved by	AS	Material Specification	N/A	Finish Specification	N/A				
			3/11/2004		8/15/2018		8/15/2018		8/15/2018								
OVALS ARE FOR INCOMING INSPECTION CHECKING PROCESSES	UNLESS OTHERWISE SPECIFIED										 <p>AM EQUIPMENT Jefferson, Oregon 97352 www.amequipment.com</p> <p>THIS DRAWING IS THE SOLE PROPERTY OF AM EQUIPMENT AND CANNOT BE REPRODUCED IN ANY WAY WITHOUT THE EXPRESS WRITTEN PERMISSION OF AM EQUIPMENT</p>	Title/Name		Motor, Wiper, 30Nm, 24V, Coast to Park, LH Housing			
	TOLERANCES IN INCHES MM											Part Number	230-J661	Revision	7	Sheet	1 OF 3
	1 PLACE DEC. = N/A ±0.25 2 PLACE DEC. = ±0.01 ±0.13 3 PLACE DEC. = ±0.005 ±0.08 4 PLACE DEC. = ±0.0025 N/A ANGULAR DIM. = ±1° ±1°											DO NOT SCALE DRAWING WORK TO GIVEN DIMENSIONS		8/15/2018			

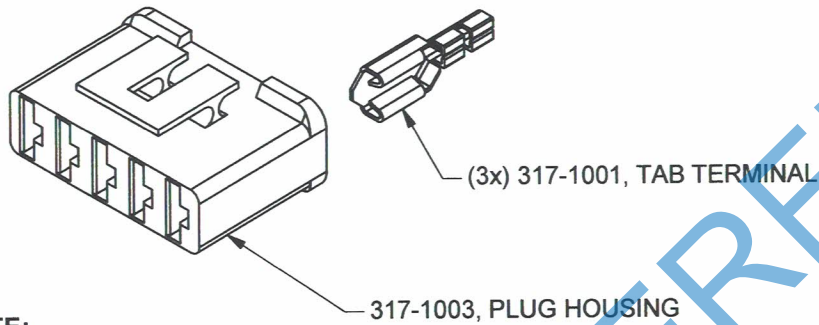
2

1

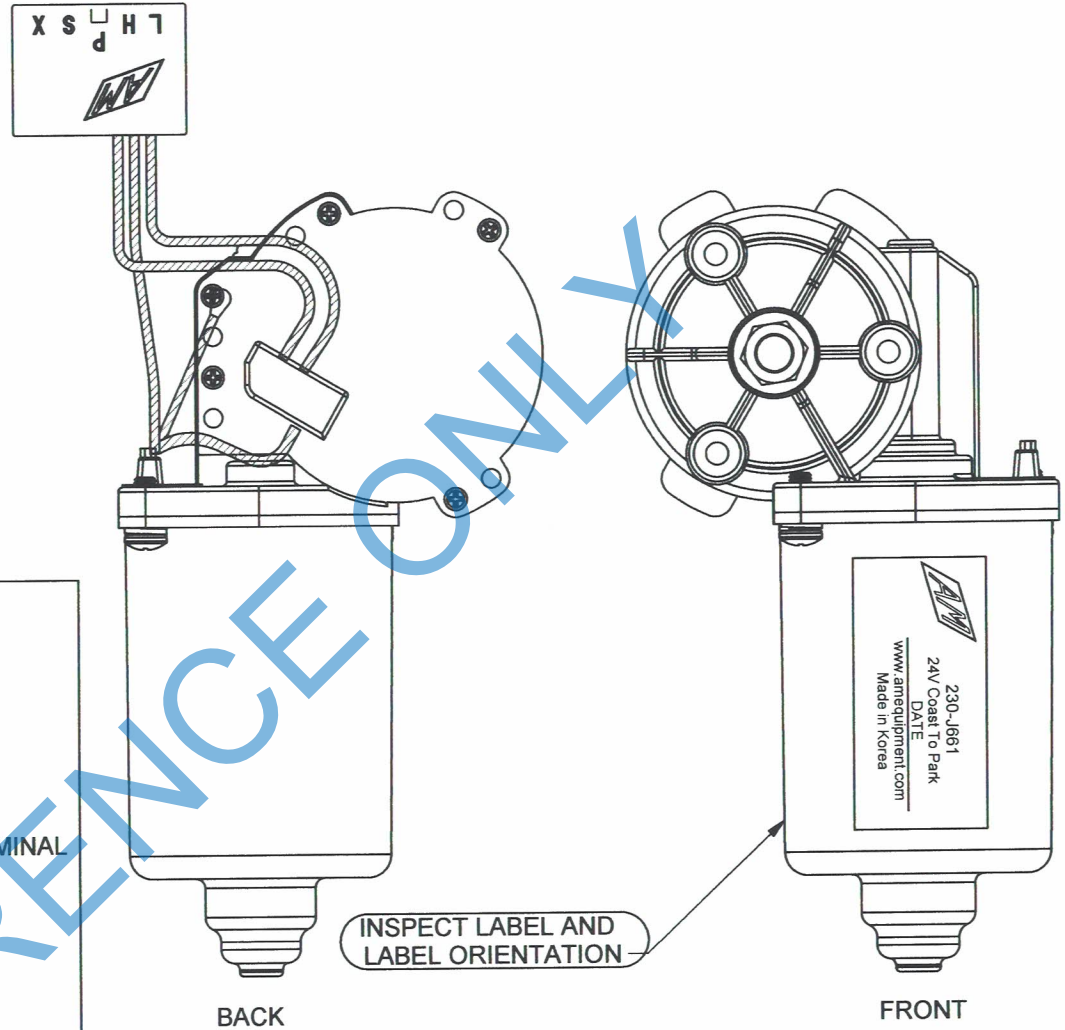
PLUG END VIEW




MATING CONNECTOR



NOTE:
FOR REFERENCE ONLY, NOT INCLUDED



Dimensions are in:
MM [INCHES]

Project N/A	Drafted by CW 3/11/2004	Revised by RW 8/15/2018	Checked by RR 8/15/2018	Approved by AS 8/15/2018	Material Specification N/A	Finish Specification N/A	
OVALS ARE FOR INCOMING INSPECTION CHECKING PROCESSES	UNLESS OTHERWISE SPECIFIED			AM EQUIPMENT Jefferson, Oregon 97352 www.amequipment.com		Title/Name Motor, Wiper, 30Nm, 24V, Coast to Park, LH Housing	
	TOLERANCES IN INCHES MM 1 PLACE DEC. = N/A ±0.25 2 PLACE DEC. = ±0.01 ±0.13 3 PLACE DEC. = ±0.005 ±0.08 4 PLACE DEC. = ±0.0025 N/A ANGULAR DIM. = ±1° ±1° DO NOT SCALE DRAWING WORK TO GIVEN DIMENSIONS			THIS DRAWING IS THE SOLE PROPERTY OF AM EQUIPMENT AND CANNOT BE REPRODUCED IN ANY WAY WITHOUT THE EXPRESS WRITTEN PERMISSION OF AM EQUIPMENT		Part Number 230-J661	Revision 7 8/15/2018

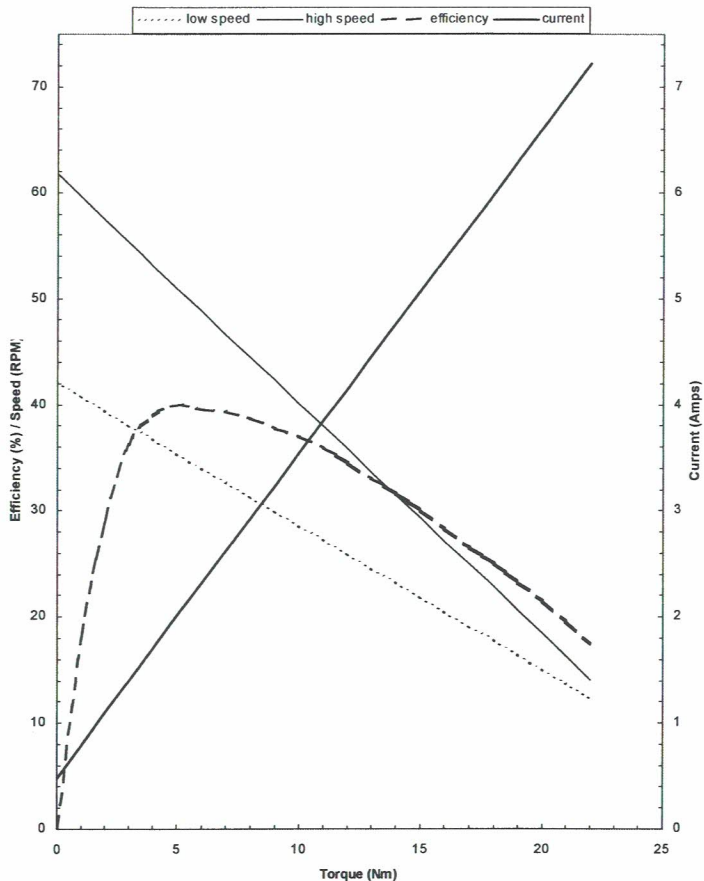
2

1

2

1

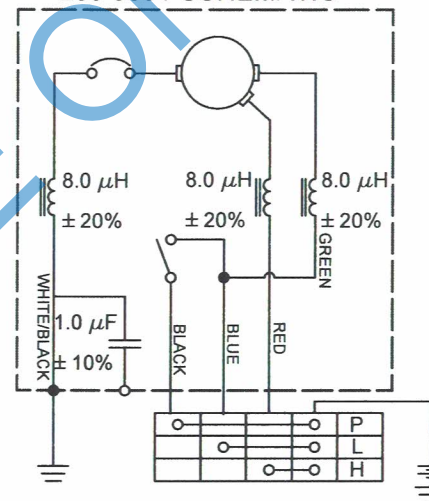
230 Series Motor, 24V



CCW OUTPUT SHAFT ROTATION

DATA POINT	DATA TYPE	LOW SPEED	HIGH SPEED
NO LOAD	CURRENT (A)	0.3 - 0.7	0.5 - 1.1
	SPEED (rpm)	30.4 - 45.6	48.6 - 73.0
15Nm	CURRENT (A)	3.2 - 4.9	4.5 - 6.9
	SPEED (rpm)	17.9 - 26.9	21.2 - 33.0

230-J661 SCHEMATIC



CCW ROTATION

NOTE:
FOR ACCURACY DATA SHOWN TO 3/4 STALL
NOMINAL ± 10% ALL DATA
DATA TAKEN AT 27.0V

Dimensions are in:
MM [INCHES]

Project N/A	Drafted by CW	Revised by <i>RW</i>	Checked by <i>RR</i>	Approved by <i>AS</i>	Material Specification N/A	Finish Specification N/A			
OVALS ARE FOR INCOMING INSPECTION CHECKING PROCESSES	UNLESS OTHERWISE SPECIFIED					<p>AM EQUIPMENT Jefferson, Oregon 97352 www.amequipment.com</p> <p>THIS DRAWING IS THE SOLE PROPERTY OF AM EQUIPMENT AND CANNOT BE REPRODUCED IN ANY WAY WITHOUT THE EXPRESS WRITTEN PERMISSION OF AM EQUIPMENT</p>	Title/Name Motor, Wiper, 30Nm, 24V, Coast to Park, LH Housing		
	TOLERANCES IN		INCHES	MM			Part Number 230-J661	Revision 7	Sheet 3 OF 3
	1 PLACE DEC. =	N/A	±0.25				8/15/2018		
2 PLACE DEC. =	±0.01	±0.13							
3 PLACE DEC. =	±0.005	±0.08							
4 PLACE DEC. =	± 0.0025	N/A							
ANGULAR DIM. =	±1°	±1°							
DO NOT SCALE DRAWING WORK TO GIVEN DIMENSIONS									