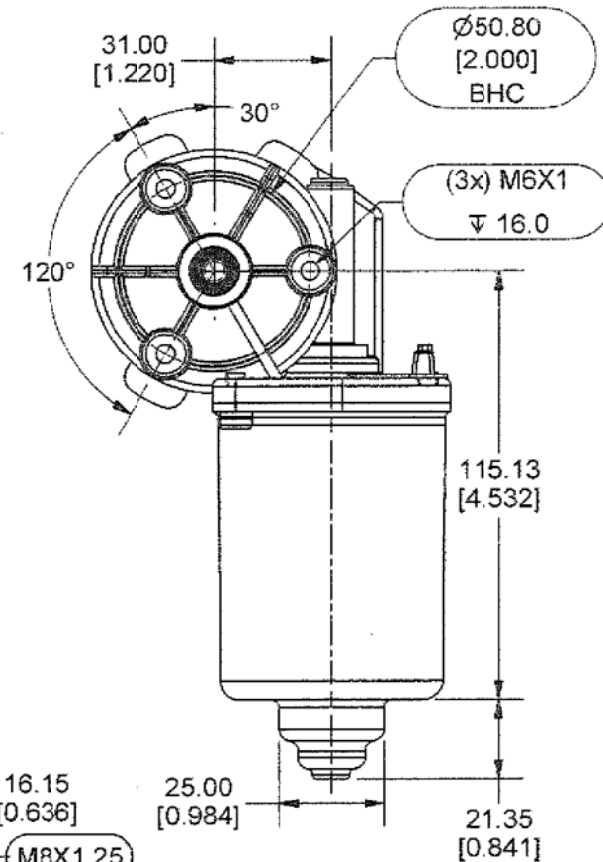
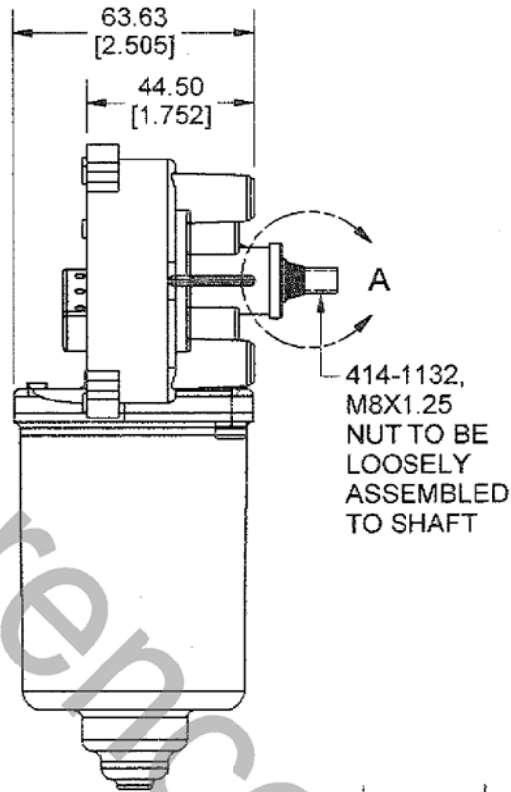
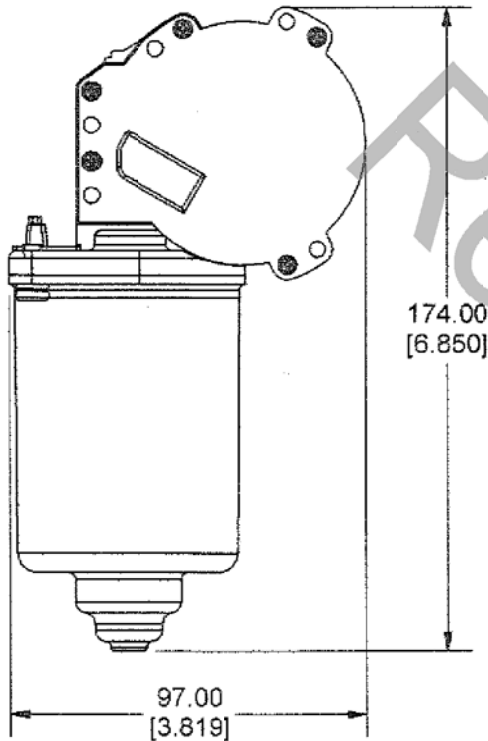


2

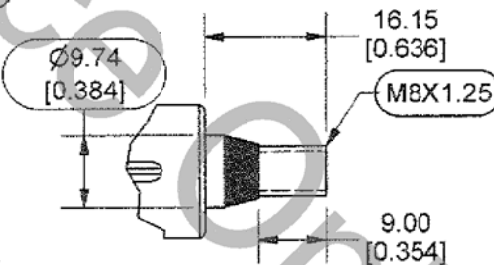


1

B



TAPER HARDENED SPLINES
3/1



DETAIL A

A

A

| | | | | | | | |
|--|--|----------------------------|---|-----------|------------|------------------------|----------------------|
| DIMENSIONS ARE IN: MM/INCHES | Project | Designer | Check | Check | Approved | Material Specification | Finish Specification |
| | N/A | <i>AM</i> | <i>Clew</i> | ES | <i>RL</i> | N/A | N/A |
| | | 12/5/2002 | 12/5/2002 | 12/5/2002 | 12/5/2002 | | |
| | OVALS | UNLESS OTHERWISE SPECIFIED | | | | | |
| ARE FOR INCOMING INSPECTION CHECKING PROCESSES | TOLERANCES IN | INCHES | MM | | | | |
| | 1 PLACE DEC. = | N/A | ±0.25 | | | | |
| | 2 PLACE DEC. = | ±0.01 | ±0.13 | | | | |
| 3 PLACE DEC. = | ±0.005 | ±0.08 | | | | | |
| 4 PLACE DEC. = | ±0.0025 | N/A | | | | | |
| ANGULAR DIM = | ±1° | ±1° | | | | | |
| | DO NOT SCALE DRAWING WORK TO GIVEN DIMENSIONS | | | | | | |
| | | | AM EQUIPMENT Jefferson, Oregon 97352 www.amequipment.com | | Title/Name | | |
| Motor, Wiper, 30Nm, 12V, Dyn. Park, LH Housing | | | | | | | |
| Part Number | | Revision | | Sheet | | | |
| 230-1001 | | 6 | | 1 OF 3 | | | |
| | | 2/4/2009 | | | | | |

2



1

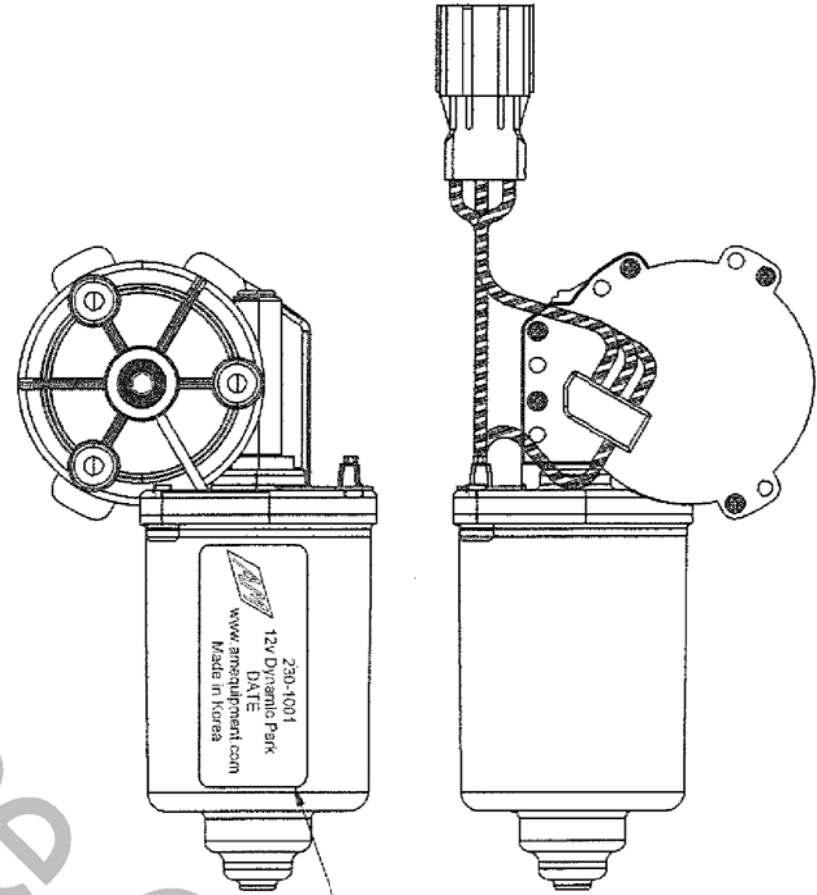
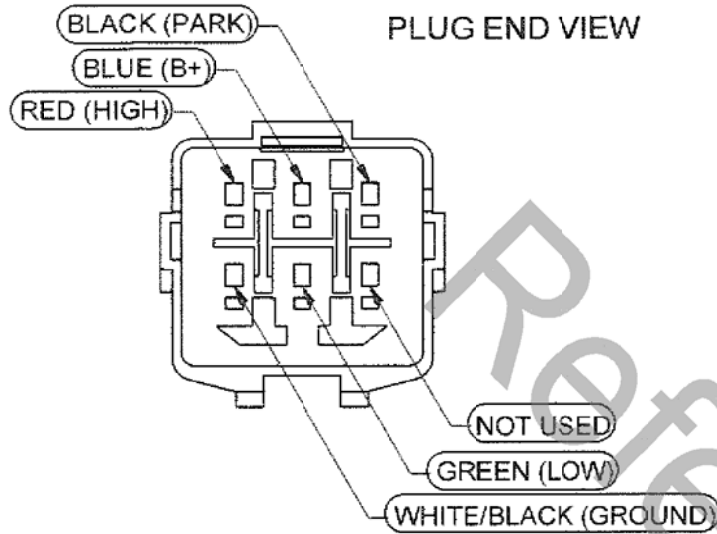
2



1

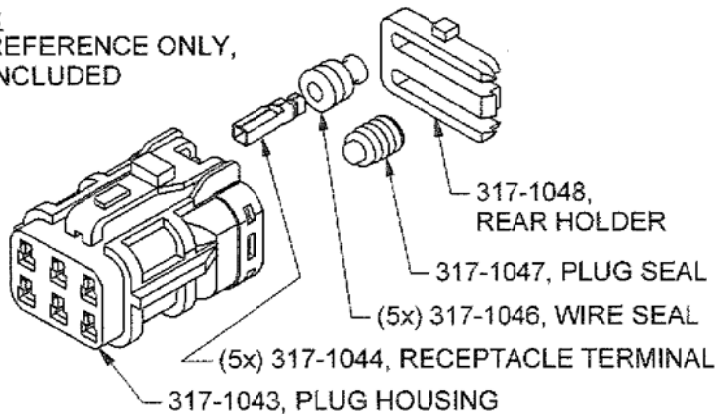
B

B



MATING CONNECTOR

NOTE:
FOR REFERENCE ONLY,
NOT INCLUDED



A

A

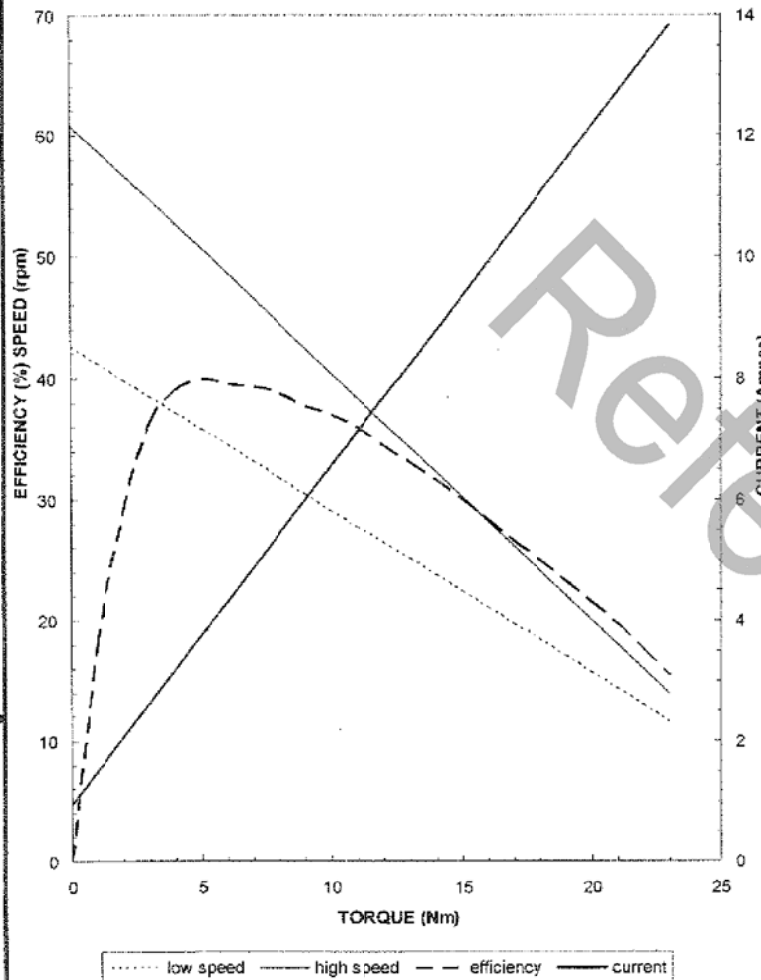
DIMENSIONS ARE IN:
MM/INCHES

| | | | | | | |
|--|---|---------------------|-------------------------|-----------------------|--|--|
| Project N/A | Designer <i>OWC</i> | Check <i>LOW</i> | Check ES | Approved <i>AL</i> | Material Specification N/A | Finish Specification N/A |
| OVALS ARE FOR INCOMING INSPECTION CHECKING PROCESSES | UNLESS OTHERWISE SPECIFIED TOLERANCES IN INCHES MM 1 PLACE DEC. = N/A ±0.25 2 PLACE DEC. = ±0.01 ±0.13 3 PLACE DEC. = ±0.006 ±0.08 4 PLACE DEC. = ±0.0025 N/A ANGULAR DIM = ±1° ±1° | | | | <p>AM EQUIPMENT Jefferson, Oregon 97352 www.amequipment.com</p> <p>THIS DRAWING IS THE SOLE PROPERTY OF AM EQUIPMENT AND CANNOT BE REPRODUCED IN ANY WAY WITHOUT THE EXPRESS WRITTEN PERMISSION OF AM EQUIPMENT</p> | Title/Name Motor, Wiper, 30Nm, 12V, Dyn. Park, LH Housing |
| | DO NOT SCALE DRAWING WORK TO GIVEN DIMENSIONS | | Part Number 230-1001 | Revision 6 | | Sheet 2 OF 3 |
| | | | 2/4/2009 | | | |

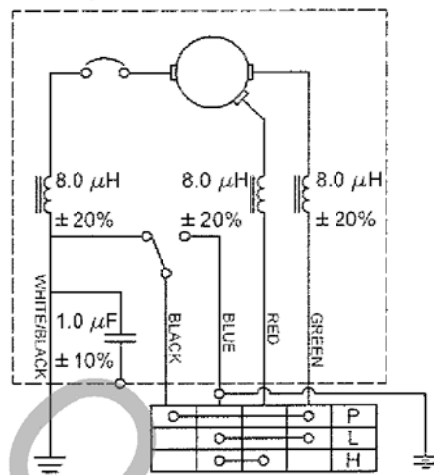
2



1



| CCW OUTPUT SHAFT ROTATION | | | |
|---------------------------|-------------|-------------|-------------|
| DATA POINT | DATA TYPE | LOW SPEED | HIGH SPEED |
| NO LOAD | CURRENT (A) | 1.0 - 0.8 | 1.6 - 1.3 |
| | SPEED (rpm) | 46.7 - 38.2 | 68.0 - 35.6 |
| 22.5Nm | CURRENT (A) | 14.2 - 13.4 | 19.1 - 15.7 |
| | SPEED (rpm) | 11.6 - 9.8 | 17.0 - 9.0 |



ISOLATED RETURN
CCW ROTATION

NOTE:
FOR ACCURACY DATA SHOWN TO 3/4 STALL
NOMINAL ± 10% ALL DATA.

| | | | | | | | | |
|---|----------------------------|--------------------|--|----------------|--------------------|------------------------|---|-------|
| DIMENSIONS ARE IN: MM/INCHES | Project | Designer | Check | Check | Approved | Material Specification | Finish Specification | |
| | N/A | <i>[Signature]</i> | <i>[Signature]</i> | ES | <i>[Signature]</i> | N/A | N/A | |
| | | 12/5/2002 | 12/5/2002 | 12/5/2002 | 12/5/2002 | | | |
| OVALS ARE FOR INCOMING INSPECTION CHECKING PROCESSES | UNLESS OTHERWISE SPECIFIED | | | TOLERANCES IN | | | AM EQUIPMENT Jefferson, Oregon 97352 www.amequipment.com | |
| | | | | INCHES | | | | MM |
| | | | | 1 PLACE DEC. = | | | | ±0.25 |
| | | | 2 PLACE DEC. = | | ±0.01 | ±0.13 | | |
| | | | 3 PLACE DEC. = | | ±0.005 | ±0.08 | | |
| | | | 4 PLACE DEC. = | | ±0.0025 | N/A | | |
| | | | ANGULAR DIM = | | ±1° | ±1° | | |
| | | | DO NOT SCALE DRAWING WORK TO GIVEN DIMENSIONS | | | | | |
| THIS DRAWING IS THE SOLE PROPERTY OF AM EQUIPMENT AND CANNOT BE REPRODUCED IN ANY WAY WITHOUT THE EXPRESS WRITTEN PERMISSION OF AM EQUIPMENT | | | | | | Part Number | Revision | |
| | | | | | | 230-1001 | 6 | |
| | | | | | | | Sheet | |
| | | | | | | | 3 OF 3 | |
| | | | | | | 2/4/2009 | | |